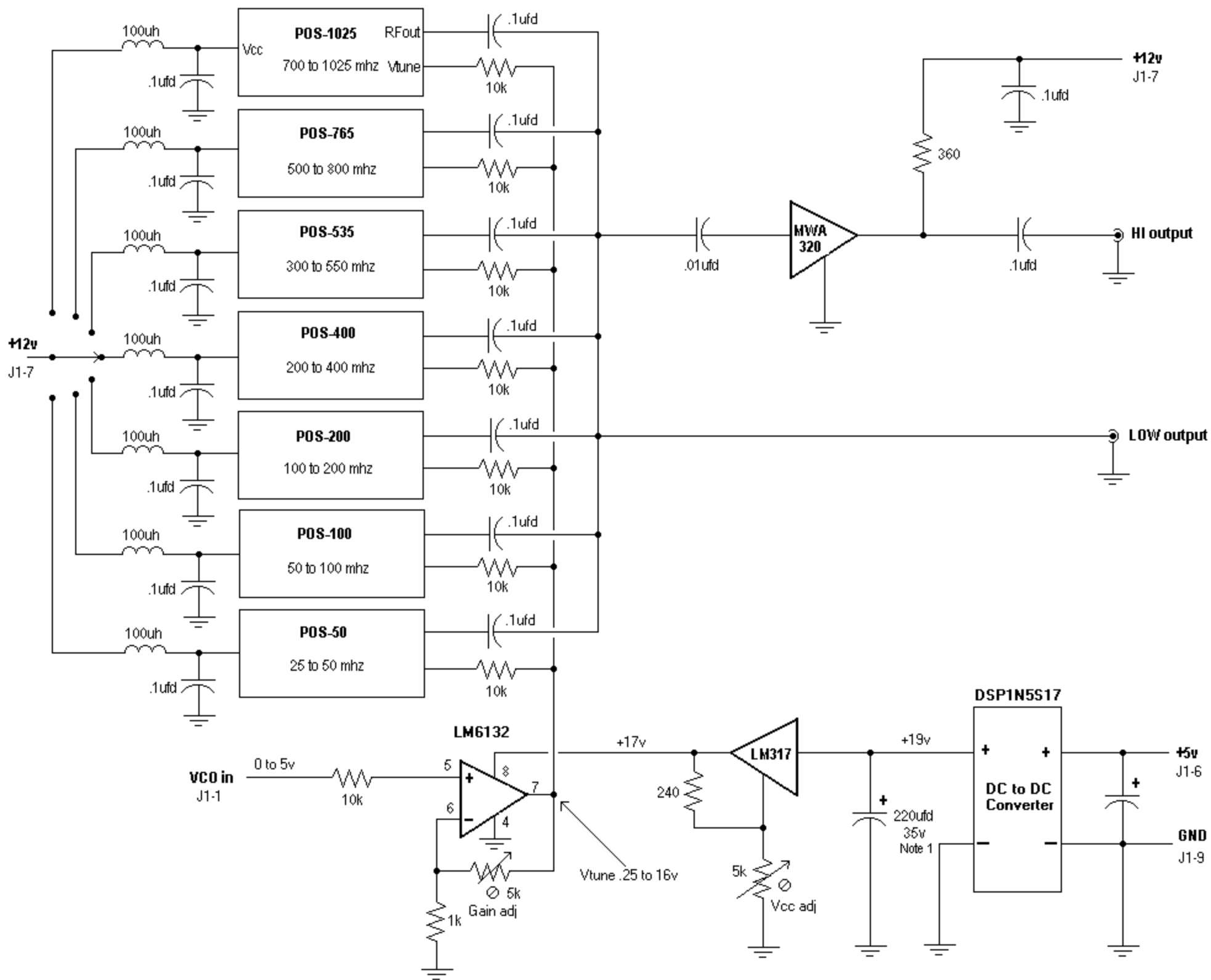


Wide Range VFO



NOTES

1. Capacitor should not exceed 400ufd.