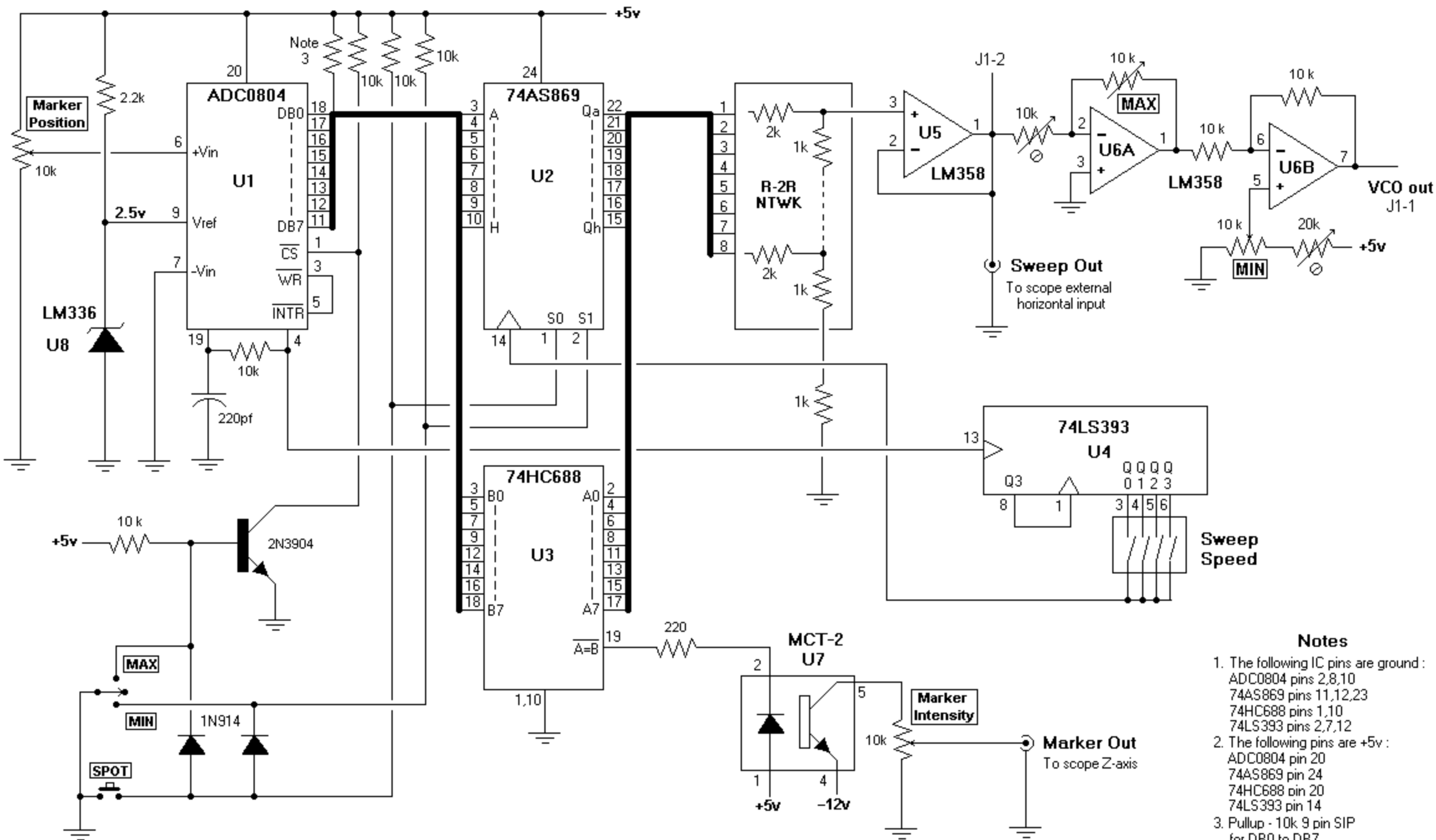


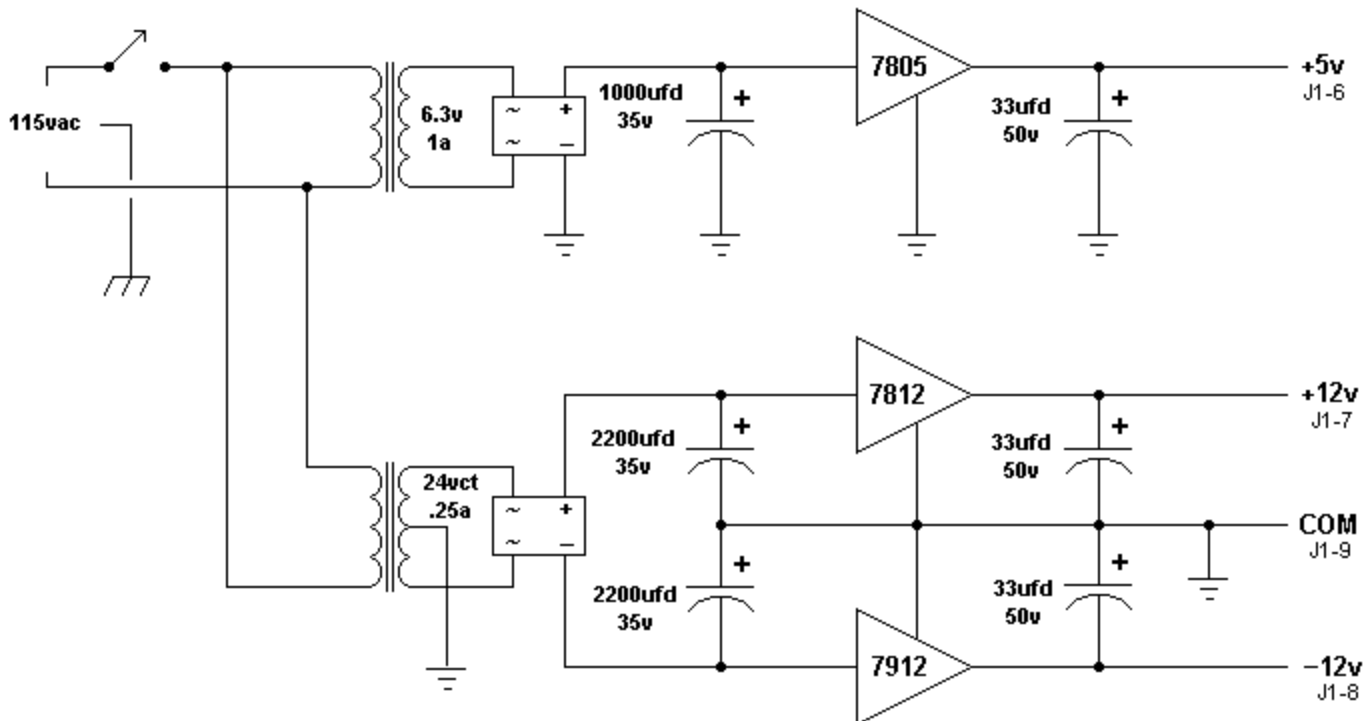
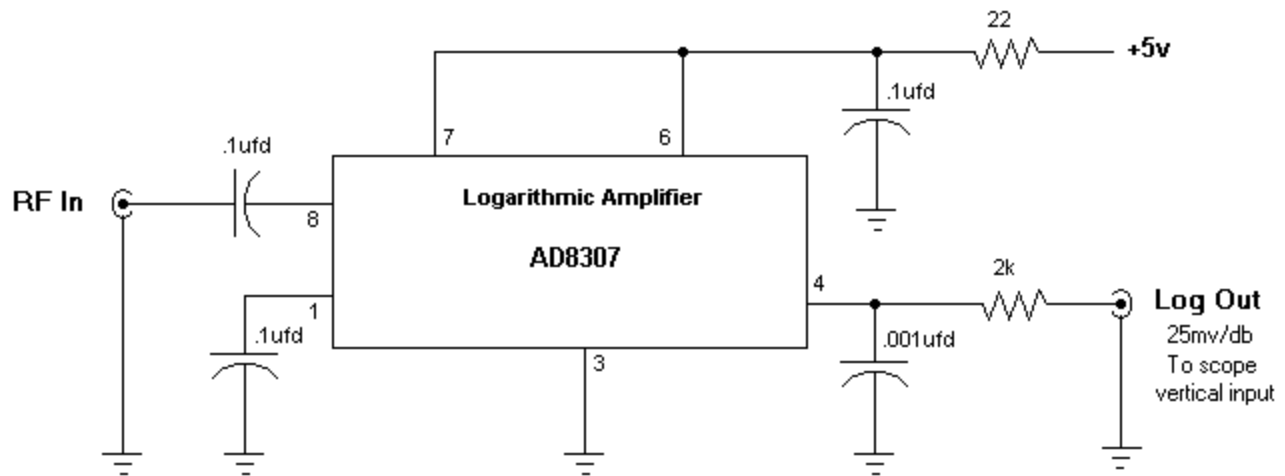
SWEEP GENERATOR



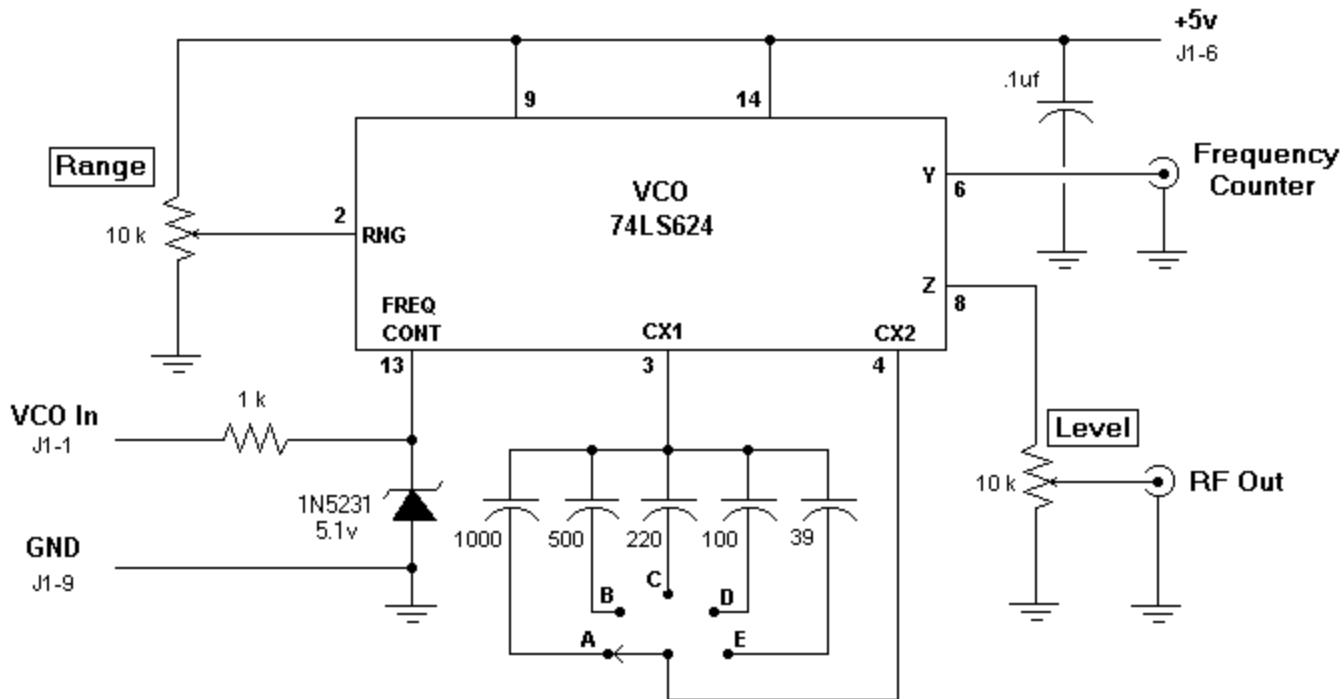
Notes

1. The following IC pins are ground :
 ADC0804 pins 2,8,10
 74AS869 pins 11,12,23
 74HC688 pins 1,10
 74LS393 pins 2,7,12
2. The following pins are +5v :
 ADC0804 pin 20
 74AS869 pin 24
 74HC688 pin 20
 74LS393 pin 14
3. Pullup - 10k 9 pin SIP for DB0 to DB7

Logamp and Power Supply



SWEEP OSCILLATOR

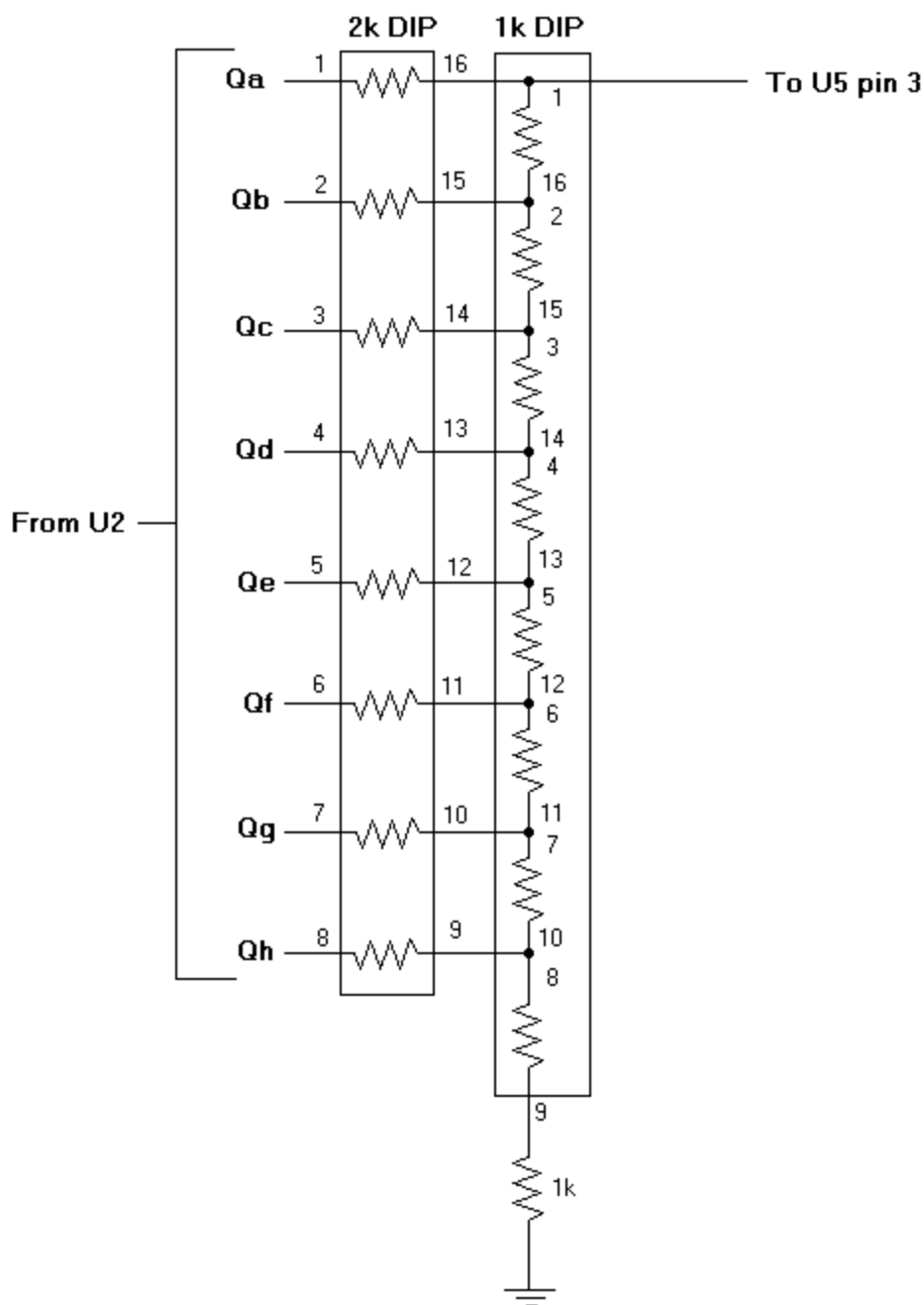


- FREQUENCY**
- A - 50 khz - 1 mhz
 - B - 100 khz - 2 mhz
 - C - 250 khz - 4 mhz
 - D - 500 khz - 8 mhz
 - E - 1 mhz - 16+ mhz

NOTES

Cap values in PF unless otherwise noted
U1 pins 1,5,7 are grounded

R-2R RESISTOR NETWORK



Interconnect Diagram

